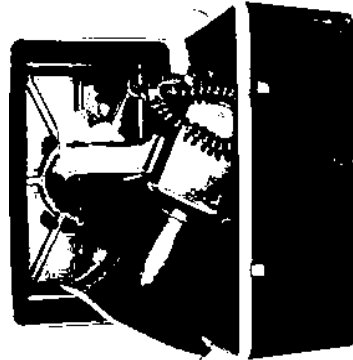
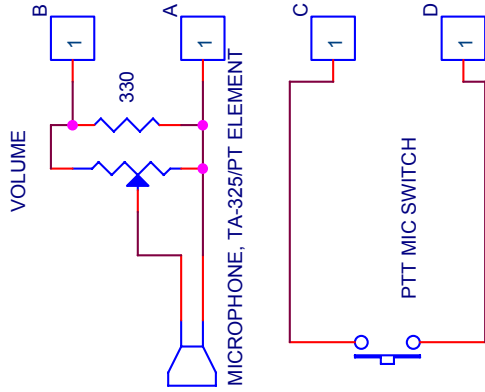
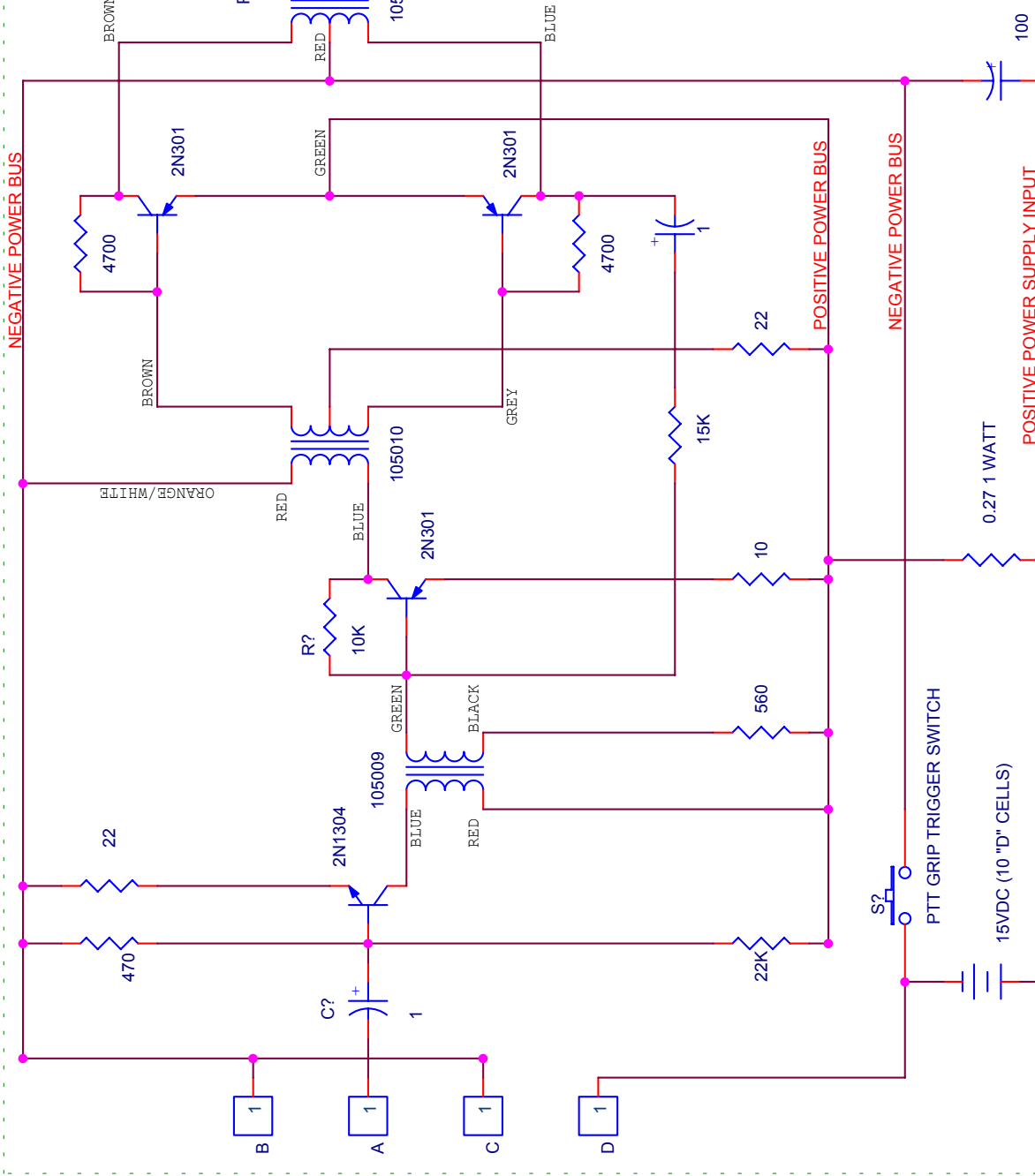


ITEMS SUPPLIED:
CASE, CARRYING
CABLE, MICROPHONE EXTENSION
MICROPHONE AND COILED CABLE ASSEMBLY
SPEAKER-AMPLIFIER UNIT

MICROPHONE AND COILED CORD ASSEMBLY



SPEAKER-AMPLIFIER UNIT



MANUFACTURER NOMENCLATURE:
BARRET INTERCOM CO. = "SPEAKER AMPLIFIER"
AUDIO EQUIPMENT CO. = "SUPER HAILER"

SEMICONDUCTOR DATA:
2N301 == TO-3 PNP GERMANIUM Vce=32 Vcb=40 Ic=3A Hfe=50@1A Ft=2MHz Pd=11W
2N1304 == TO-5 GERMANIUM NPN 25V 0.3A 0.15W 10MHz

Title		AN/PIQ-5 MILITARY BULLHORN	
Size	A	Document Number	20050129-1843-PJJ
Rev	1.0	Date:	Saturday, January 29, 2005
		Sheet	1 of 1

ALL RESISTANCES IN OHMS
ALL CAPACITANCES IN MICROFARADS